

**SCHEMATIC DIAGRAM
AND
PARTS LIST**



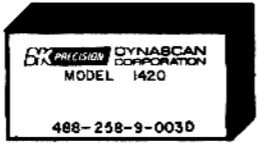
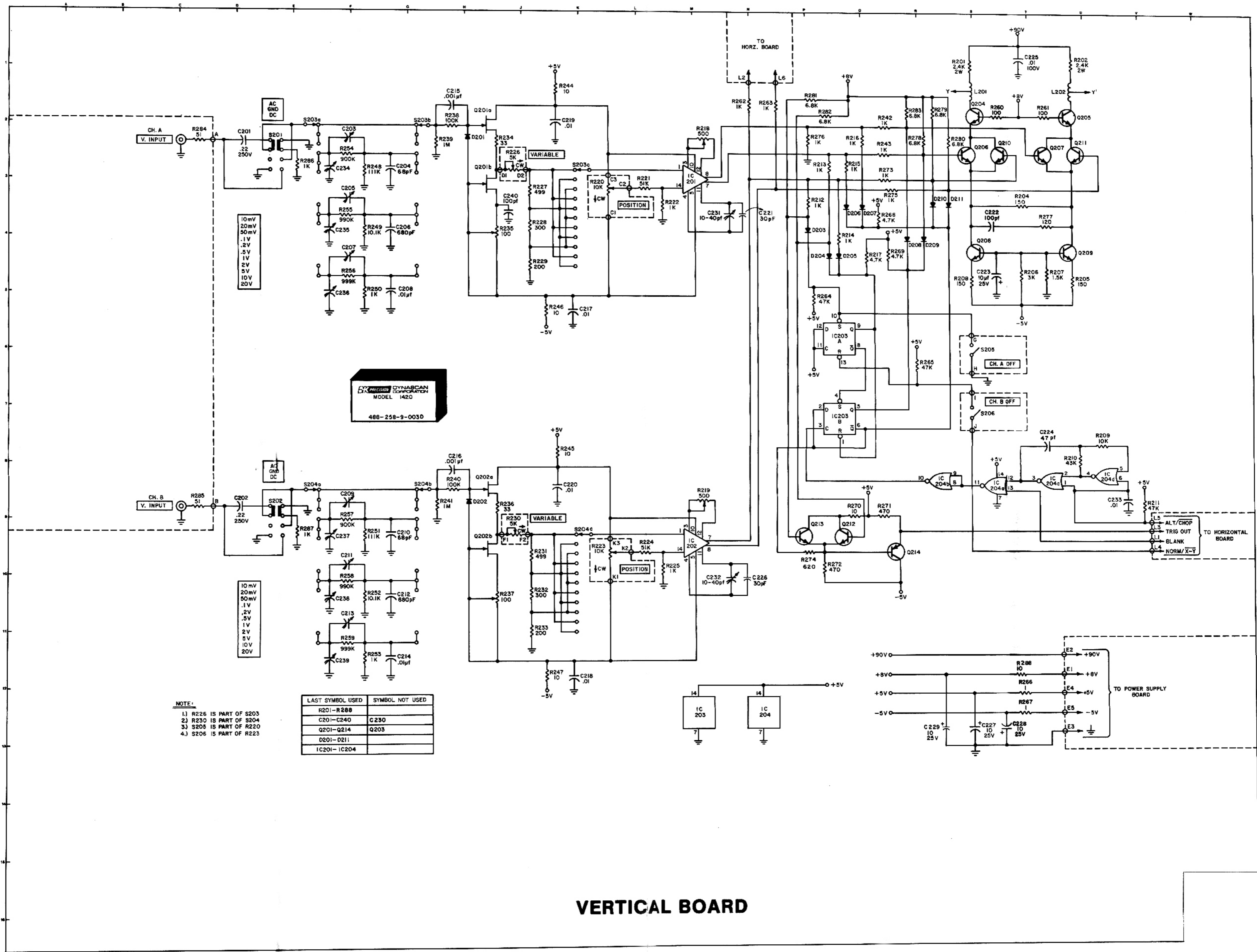
1420

**15 MHz, AC/DC/Battery
Dual-Trace
MINI-SCOPE**

**PARTS LIST
488-258-9-004C**

SCHEMATIC SYMBOL	DESCRIPTION	DYNASCAN PART NO.
RESISTORS		
Unless otherwise specified on schematic, unlisted resistors are $\pm 5\%$, 1/4 W. See schematic diagram for value of unlisted resistors.		
R2, 27, 107, 108, 109	5 k Ω , 20% Trimmer Pot	008-231-9-001
R4	1.87 k Ω , 1/4 W, 1% Metal Film.....	015-141-1-871
R5	61.9 k Ω , 1/4 W, 1% Metal Film	015-141-6-192
R6	4.7 Ω , 1/2 W, 1% Wirewound	004-183-9-001
R11	2 k Ω , 20% Trimmer Pot	008-303-9-001
R32	1/4 Ω , 1 W, 1% Wirewound	004-185-9-001
R39	1/2 Ω , 1 W, 1% Wirewound	004-184-9-001
R40/R53	50 k Ω /1 k Ω , Dual Concentric Potenti- ometer (ASTIG/TRACE ROTATION)...	008-432-9-001
R45	5 M Ω , 1/4 W, 20% Potentiometer	008-392-9-001
R48, 69	50 k Ω , 20% Trimmer Pot	008-387-9-001
R51	10 k Ω , 1/4 W, 20% Potentiometer, Includes S1	008-400-9-001
R104, 110	4.99 k Ω , 1/4 W, 1% Metal Film.....	015-141-4-991
R105	10.0 k Ω , 1/4 W, 1% Metal Film.....	015-141-1-002
R106	24.9 k Ω , 1/4 W, 1% Metal Film.....	015-141-2-492
R111	61.29 k Ω , 1/4 W, 1/4% Metal Film	011-182-9-001
R112	6.81 k Ω , 1/4 W, 1/4% Metal Film	011-181-9-001

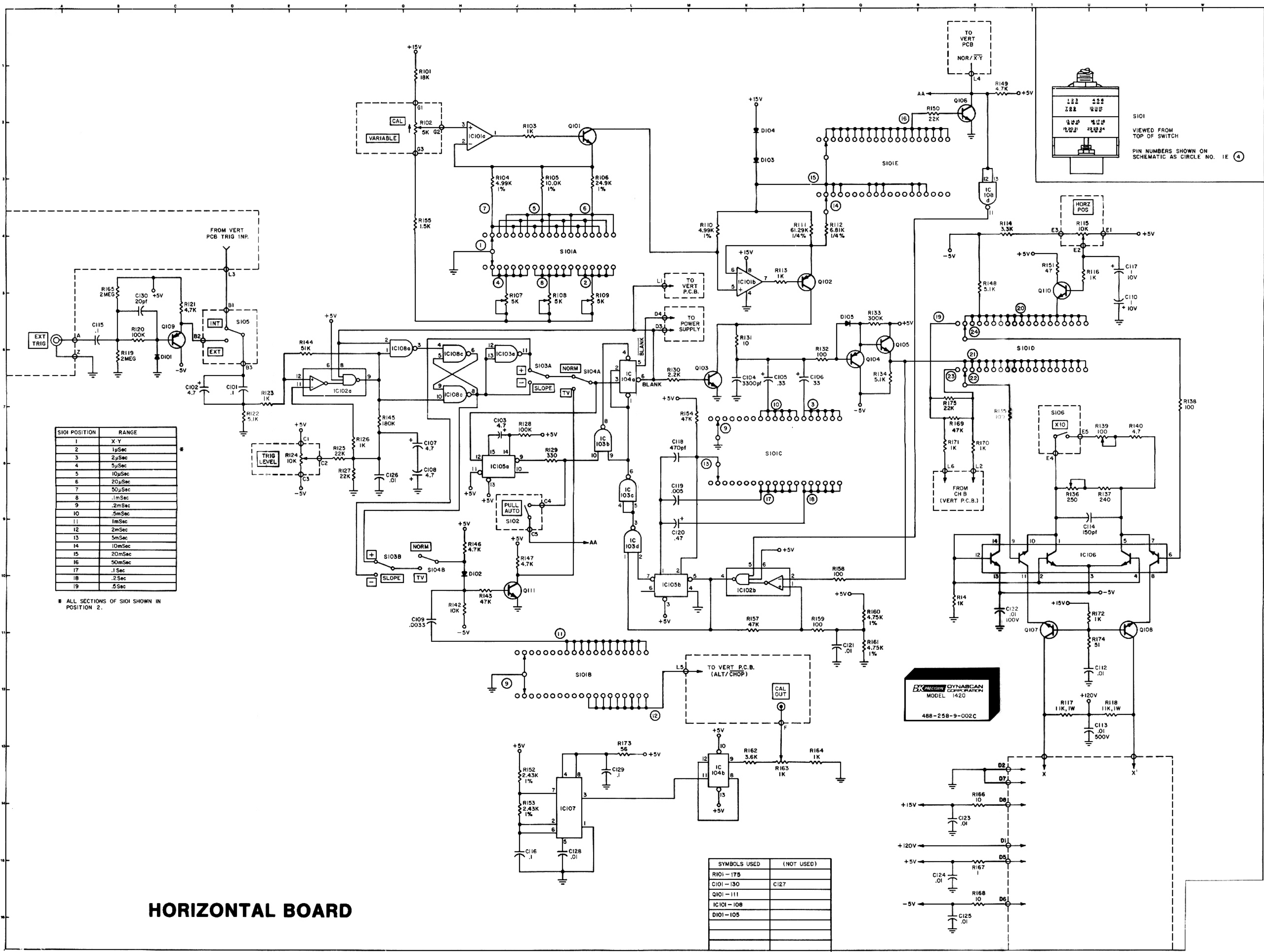
**COMPOSITE
499-189-9-001C**



NOTE:
 1) R226 IS PART OF S203
 2) R230 IS PART OF S204
 3) S205 IS PART OF R220
 4) S206 IS PART OF R223

LAST SYMBOL USED	SYMBOL NOT USED
R201-R288	C230
C201-C240	Q203
Q201-Q214	IC201-IC204

VERTICAL BOARD

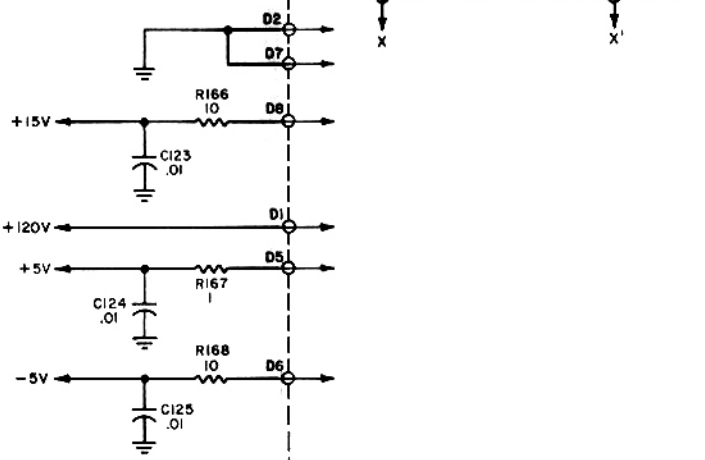
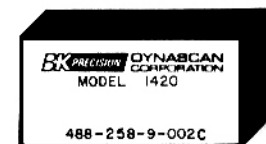
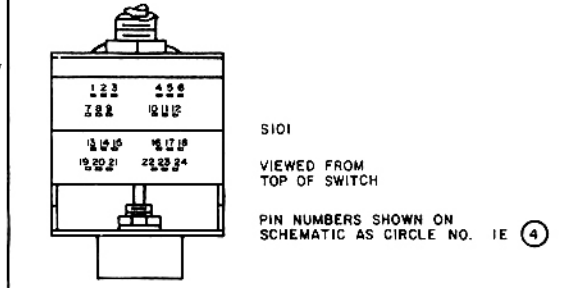


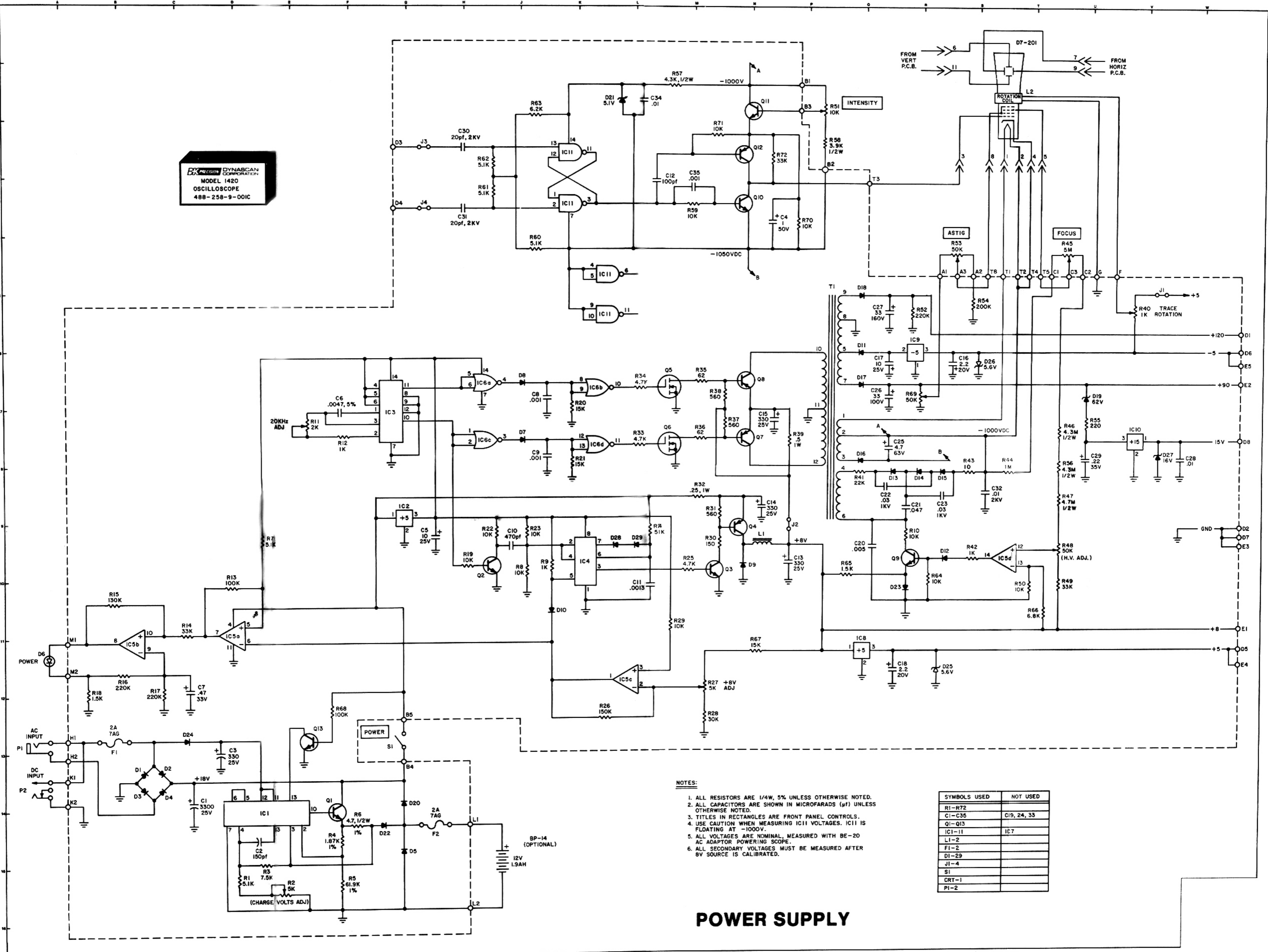
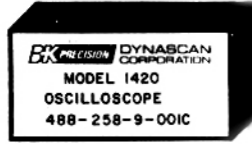
S101 POSITION	RANGE
1	X.Y
2	1 μ Sec
3	2 μ Sec
4	5 μ Sec
5	10 μ Sec
6	20 μ Sec
7	50 μ Sec
8	.1mSec
9	.2mSec
10	.5mSec
11	1mSec
12	2mSec
13	5mSec
14	10mSec
15	20mSec
16	50mSec
17	.1 Sec
18	.2 Sec
19	.5 Sec

* ALL SECTIONS OF S101 SHOWN IN POSITION 2.

HORIZONTAL BOARD

SYMBOLS USED	(NOT USED)
R101 - 175	C127
C101 - 130	
Q101 - 111	
IC101 - 108	
D101 - 105	





- NOTES:
1. ALL RESISTORS ARE 1/4W, 5% UNLESS OTHERWISE NOTED.
 2. ALL CAPACITORS ARE SHOWN IN MICROFARADS (μ F) UNLESS OTHERWISE NOTED.
 3. TITLES IN RECTANGLES ARE FRONT PANEL CONTROLS.
 4. USE CAUTION WHEN MEASURING IC11 VOLTAGES. IC11 IS FLOATING AT -1000V.
 5. ALL VOLTAGES ARE NOMINAL, MEASURED WITH BE-20 AC ADAPTOR POWERING SCOPE.
 6. ALL SECONDARY VOLTAGES MUST BE MEASURED AFTER 9V SOURCE IS CALIBRATED.

SYMBOLS USED	NOT USED
R1-R72	
C1-C35	C19, 24, 33
Q1-Q13	
IC1-11	IC7
L1-2	
F1-2	
D1-29	
J1-4	
S1	
CRT-1	
PI-2	

POWER SUPPLY